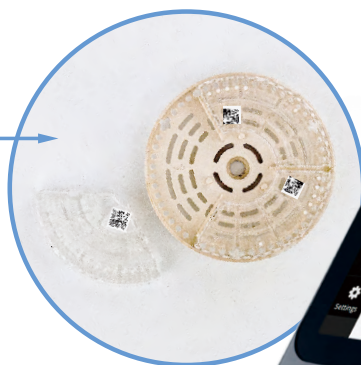


# SD3 Fully Automated Chemistry Analyzer

SD3 fully automated chemistry analyzer is a biochemical analysis system that integrates conventional biochemistry, coagulation, electrolyte and immunoassay items. It is widely used in primary health, emergency diagnostic testing, field rescue and other fields.

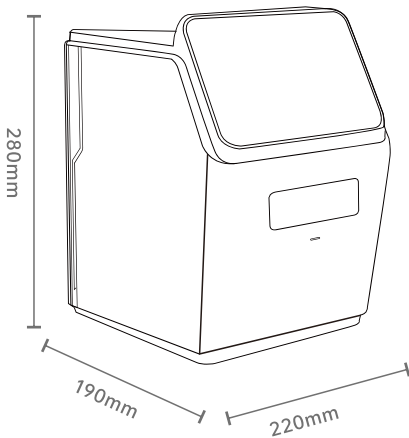
Maximum 3  
test panels  
at a time



New  
Reagent  
Rotor



**NEW**



## SD3 Fully automated chemistry analyzer

Based on microfluidics technology, Seamaty SD3 chemistry analyzer could provide an accurate test result with whole blood, serum, plasma or urine in simple 4-steps operation. The system uses a new patented single-use reagent discs offering a complete testing flexibility with the most cost-effective way.



60-100µL of whole blood, serum, plasma or urine



Test results in 9-12 minutes



4-step simple operation

## ADVANTAGES

### Fan-shaped reagent Panels

Panel with built-in diluent for whole blood sample, report in 12 minutes.  
Panel without diluent for serum or plasma, report in 9 minutes.

### Low Sample Consumption

Sample volume 50~100µl per Panel

### Easy to use and maintenance Free

### Up to 3 panels per run

### Accurate Result

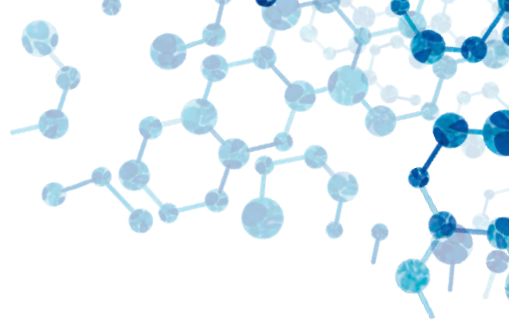
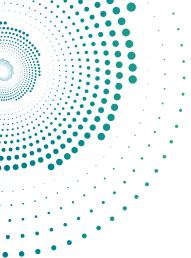
Microfluidic technology with absorption photometry method guarantees more accurate results than traditional dry chemistry.  
Independent cuvettes stop each assay from cross contamination.

### Flexible combinations

Regular biochemistry, coagulation, electrolyte, lipid, cardiac, HbA1c as well as CRP.  
Multiple combinations are available.

## SPECIFICATION

Sample volume	50-100µL	Testing method	End-point, kinetic, two-point
Bar code	QR code	Light source	Halogen tungsten lamp's shelt life is over 2500 hours
Testing time	9-12 minutes / 3 samples	Power supply	AC 100V-240V, 50-60Hz
Temperature	37°C±0.3°C	Rated power	120VA
Absorbance	0.001Abs	Storage	MAX 500,000 results
Cross infection	0	Display	7 inch 800*480 multi-touch screen, Android system, multi-language support
Sample type	Lithium Heparin Anticoagulant whole blood, serum, plasma and urine	Printer	Built-in thermal printer
Work condition	Temperature:10-30°C Humidity: 30%-70%	Connectors	4 USB interfaces, 1 LAN interfaces
Testing principle	Absorption spectroscopy, Turbidimetry	Weight	4Kg
QC&Calibrate	Automatic and real-time		



## EASY 4-STEP OPERATION

All steps are automated from centrifugation, dilution, quality control to test result printing.



## DISPOSABLE REAGENT DISC

### Seamaty Reagent Disc Introduction

Born from space technology research, Seamaty reagent disc is a fully self-contained single-use chemistry reagent disc designed to satisfy a variety of conditions. Just 2-3 drops of whole blood are required to offer accurate results. The test kit consists of lyophilized reagent beads, diluent and QR code. The reagent disc has a shelf life of 12 months(2-8°C storage). The diluent is contained in the disc. The QR code includes the basic information of the disc.

### Intelligent Quality Control

The reagent disc contains a complicated internal quality control system IQC which continuously monitors the disc function to ensure reaction stability and optimal disc performance. IQC is the engine that drives the SD3 accurately and precisely.

### Correlation

In countless central-lab correlation studies, the accuracy, precision and reproducibility of the SD3 chemistry analyzer has been proven and approved by the most respected hospitals and commercial around the world.

# Reagent Panel

## 3 Renal Function Kit

UREA Crea UA

## 5 Renal Function Kit

UREA Crea  $\text{Cl}^-$   $\text{K}^+$   $\text{Na}^+$

## 3 Electrolyte Kit

$\text{Cl}^-$   $\text{K}^+$   $\text{Na}^+$

## 3 Relyte B Kit

Ca PHOS Mg

## 8 Liver Function Kit

TB DB ALP ALB ALT AST TP UA

## 3 Liver Function Kit

ALB ALT AST

## 3 Liver Function Kit

DB TB  $\text{Na}^+$

## 2 Coagulation Assay Kit

PT APTT INR

## 6 Coagulation Assay Kit

PT APTT FIB TT D-Dimer INR

## 5 Glycolipid Kit

HDL TC TG LDL GLU

## 5 Cardiac kit

AST CK HBDH LDH CK-MB

## 5 Pancreatitis Kit

CRP AMY Crea UREA LPS

## CRP Kit

CRP

## tHB Kit

tHB

## 4 Renal Function Kit

UREA Crea UA AST

## 2 Electrolyte Kit

$\text{K}^+$   $\text{Na}^+$

## 5 Electrolyte Kit

$\text{Cl}^-$   $\text{K}^+$   $\text{Na}^+$  Ca Mg

## 6 Liver Function Kit

ALP ALT DB TB AST GGT

## 8 Liver Function Kit

TB DB ALP ALB ALT AST TP GGT

## 4 Liver Function A Kit

ALP ALT DB TB

## 4 Bone Chemistry Kit

Ca ALP ALB PHOS

## 5 Coagulation Assay Kit

PT APTT FIB TT INR

## 7 Coagulation Assay Kit

PT APTT FIB TT D-Dimer ATIII INR

## 4 Lipid Kit

LDL HDL TG TC

## 10 General Chemistry Kit

UREA Crea GLU ALT AST UA HDL LDL TC TG

## 3 Metabolism Kit

AMY AST ALT

## HbA1c Kit

HbA1c

## D-Dimer Kit

D-Dimer